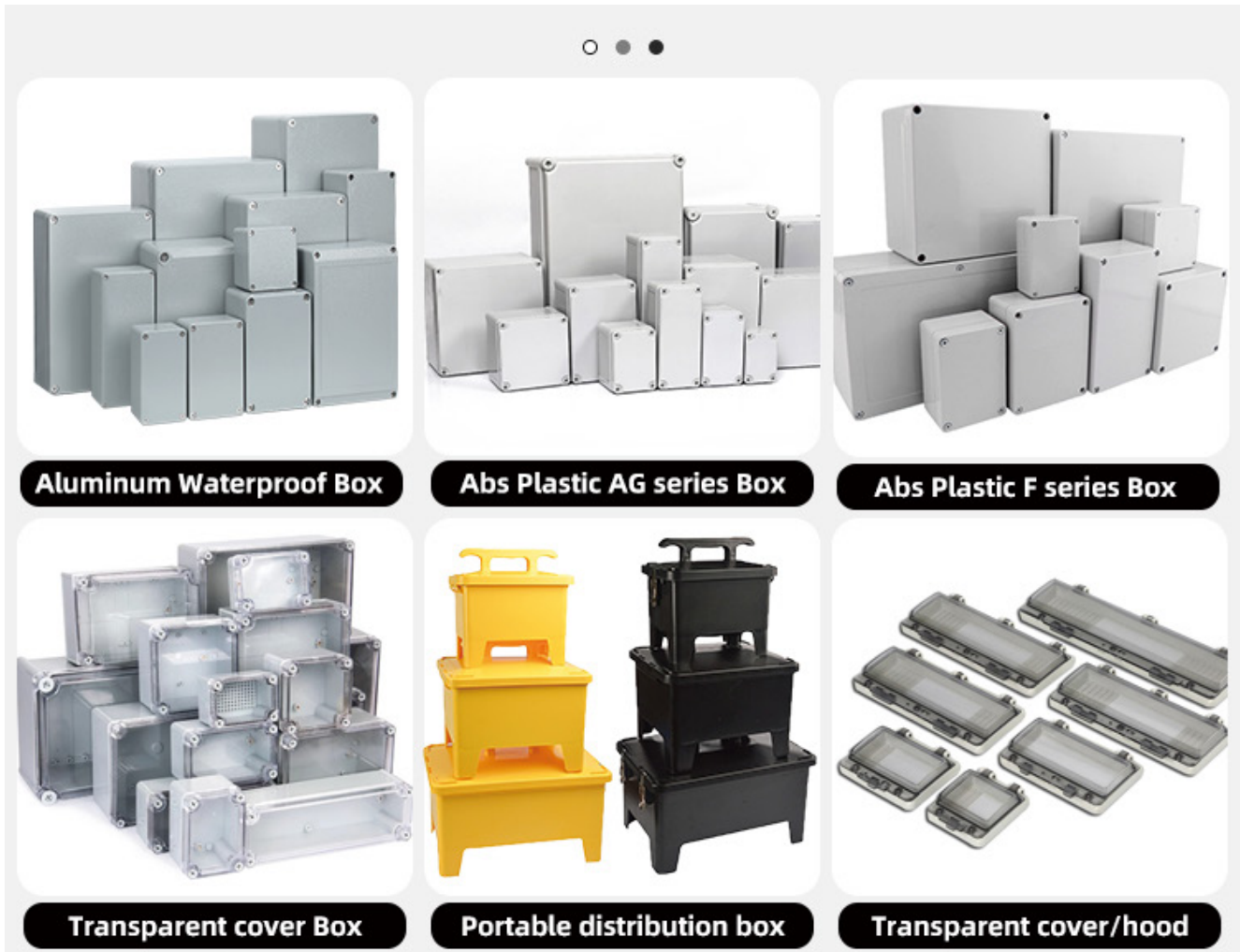


# Enclosure For Industrial & Electronic Applications

塑料防水接线盒 / 配电箱电力电器工程解决方案



# HIGHYI BOXES



## 关于我们 | ABOUT US

海溢电气(温州市)电气有限公司家生产定制、研发为一体的公司拥有专业的技术团队,各项技术指标均达到国内外同类产品的先进水平。严苛的质量控制,逐步齐全的产品系列。

海溢电气主要面向全球中高端市场,以电力行业,光伏太阳设备,电厂发电设备;汽车制造业,新能源充电设备,化学行业,水处理防腐设备,造船、铁路钢铁航空行业等等。

公司坚持以科技为导向,以质量为企业的生命经营理念,坚持为新老客户打造优质的产品、优惠的价格,快捷的供货渠道、完善的售后服务,保障客户的基本需求,赢得客户的信任。

海溢电气有信心向更高的目标迈进,期待与更多的单位合作,期望打造世界线上线下O2O交易平台。

Highyi Electric is a manufacturer of Industrial plug and socket, waterproof junction box, electric tools with well-equipped testing facilities and strong technical force.

We are located in Yueqing Wenzhou and is specialized in manufacturing and trading of all products above for many years.

With an experienced and professional team, we have exported our products to many countries and regions all over the world. Our products enjoy a good reputation among our customers.

We welcome customers, business associations and friends from all parts of the world to contact us and seek cooperation for mutual benefits.



# 资质证书 | QUALIFICATION CERTIFICATE

坚持稳定的产品质量，恪守产品制造的一丝不苟，凭借一流的开发、生产、检测、一流的质量保证体系和行业领先的生产工艺构建的核心竞争力，全力打造具有国际一流品质的企业。

With perseverance in stable quality and meticulous manufacturing process, manufacturing and inspection, first-class quality assurance system and leading production technology, we will make full effort to create a world-class quality enterprise.

 <p>Report No.: BST19041257751CR</p> <p><b>LEI SU ER(WENZHOU)ELECTROCS CO.LTD</b></p> <p><b>CE EMC REPORT</b></p> <p>Prepared For: LEI SU ER(WENZHOU)ELECTROCS CO.LTD Boshanqian Industrial Zone Wenzhou Yangjia City, Zhejiang P.R. CHINA.</p> <p>Product Name: ELECTRIC SEALING BOX</p> <p>Model: TP-AG, TP-AI, TP-OS, TP-AD, TP-AH, TP-PGT</p> <p>Prepared By: BST Technology (Shenzhen) Co., Ltd. No.7, New Era Industrial Zone, Guanlan, Bao'an Guangdong, China</p> <p>Test Date: Apr. 22-23 2019</p> <p>Date of Report: Apr. 24, 2019</p> <p>Report No.: BSTXD190412580501ER</p> <p>Address: Boshanqian Industrial Zone Wenzhou Yangjia City, Zhejiang P.R. CHINA</p>	 <p><b>Test Report</b></p> <p>Report No.: BST19041257751CR Date: Apr. 22, 2019</p> <p>Applicant: LEI SU ER(WENZHOU)ELECTROCS CO.LTD</p> <p>Address: Boshanqian Industrial Zone Wenzhou Yangjia City, Zhejiang P.R. CHINA</p> <p>The following sample(s) was/were submitted and identified on behalf of the client:</p> <p>Sample Name: ELECTRIC SEALING BOX</p> <p>Sample Model: TP-F, TP-AI, TP-OS, TP-AD, TP-AH, TP-PGT, TP-AG, HK, HA, HT</p> <p>Sample Received Date: Apr. 19, 2019</p> <p>Testing Period: Apr. 19, 2019 To Apr. 22, 2019</p> <p>Test Requested: Selected test (s) in the selected parts as requested: Directive 2011/65/EU Annex II (EU) 2013/863 L (EU) 2017/2102.</p> <p>Test Method: Please refer to next page(s).</p> <p>Test Result: Please refer to next page(s).</p> <p>Conclusion: Based on the performed tests on submitted sample of Lead, Mercury, Cadmium, Hexavalent chromate, Polybrominated biphenyls (PBBs), Polybrominated diphenyl ethers (PBDEs) and Phthalates such as Bis (2-ethyl phthalate (DEHP), Bis(2) benzyl phthalate (DBP) phthalate (DEHP), and Di-n-butyl phthalate (DBP) the limits as set by RoHS Directive 2011/65/EU 2013/863 as last amended by Directive (EU) 2015/863.</p> <p>Shi LeiKevin 施磊</p> <p>Inspector</p>	 <p><b>测试报告</b></p> <p>No. NC82EC2100112525 日期: 2021</p> <p>常州尔电电气有限公司 浙江省温州市乐清市柳市镇</p> <p>以下测试之样品是由申请者提供及确认: ABS 树脂</p> <p>SGS 订单编号: NP21-00032- NB</p> <p>型号: H6-1214</p> <p>样品接收日期: 2021年04月11日</p> <p>测试日期: 2021年04月11日 - 2021年04月15日</p> <p>测试标准: 欧盟RoHS指令</p> <p>测试方法: 请参考下一页</p> <p>测试结果: 请参考下一页</p> <p>备注: 客户要求样品进行检测, 铅、汞、六价铬、多溴联苯(PBBs)、多溴二苯醚(PBDEs)和邻苯二甲酸酯(BPA)的含量符合欧盟RoHS指令2011/65/EU和2015/863号指令。</p> <p>湖州尔电技术有限公司宁波分公司 施磊</p> <p>Ins. Xiao行徐松</p> <p>检测负责人</p>	 <p><b>ATTESTATION of conformity with European Directives</b></p> <p>Product: Waterproof seal distribution box</p> <p>Reference: LSE1584LSE1586LSE1589LSE151LSE151KLE1524LSE1536</p> <p>Issued to: Lei Su Er(WENZHOU)Electrocs Co.,Ltd</p> <p>Address: Boshanqian Industrial Zone Wenzhou Yangjia City, Zhejiang Province, P. R. CHINA</p> <p>Manufacturer: Lei Su Er(WENZHOU)Electrocs Co.,Ltd</p> <p>Technical characteristics: 415V, IP65</p> <p>The submitted sample of the above equipment has been tested for CE marking according to following European Directive and following standards:</p> <table border="1"> <thead> <tr> <th>Standard</th> <th>Report number</th> <th>Report date</th> </tr> </thead> <tbody> <tr> <td>EN 60676-1:2005+A1:2013 EN 60676-22:2006</td> <td>WNR-15E1007RACSP</td> <td>15/07/2015</td> </tr> </tbody> </table> <p>The relevant test reports show that the product complies with standard(s) recognized as giving presumption of compliance with the essential requirements in the specified European Directive.</p> <p>This verification does not imply assessment of the production of the product.</p> <p>The CE marking may be affixed if all relevant and effective European Directives with CE are applicable.</p> <p>Shanghai (P.R. China), August 18<sup>th</sup>, 2015</p> <p><b>CE</b></p> <p>Shanghai (P.R. China), August 18<sup>th</sup>, 2015</p> <p>Version 1.3/09/13, 11.21</p>	Standard	Report number	Report date	EN 60676-1:2005+A1:2013 EN 60676-22:2006	WNR-15E1007RACSP	15/07/2015
Standard	Report number	Report date							
EN 60676-1:2005+A1:2013 EN 60676-22:2006	WNR-15E1007RACSP	15/07/2015							

 <p>测试报告</p> <p>报告编号: T1221609218039</p> <p>申请人: 雷尔电(温州)电气有限公司 浙江省温州市乐清市柳市镇</p> <p>样品描述: 防水盒</p> <p>型号: LSE-AG, LSE-AT</p> <p>样品收到日期: 2016/09/20</p> <p>测试日期: 2016/09/20 至 2016/09/23</p> <p>测试标准: IP67</p> <p>测试方法: IEC 60529:1989+A1:1999+A2:2013</p> <p>结论: 合格</p> <p>Shi LeiKevin 施磊 检测负责人</p>	 <p>测试报告</p> <p>报告编号: T1221609218038</p> <p>申请人: 雷尔电(温州)电气有限公司 浙江省温州市乐清市柳市镇</p> <p>样品描述: 防水盒</p> <p>型号: ES-FA, ES-XA, ES-L, ES-F</p> <p>样品收到日期: 2016/09/20</p> <p>测试日期: 2016/09/20 至 2016/09/23</p> <p>测试标准: IP65</p> <p>测试方法: IEC 60529:1989+A1:1999+A2:2013</p> <p>结论: 合格</p> <p>Shi LeiKevin 施磊 检测负责人</p>	 <p><b>检测报告</b></p> <p>温州市质量技术监督检测科</p> <p>报告编号: WNR221180042 检测码: 07585P</p> <table border="1"> <tr> <td>委托方: 雷尔电(温州)电气有限公司</td> <td>型号规格:</td> </tr> <tr> <td>样品名称: 防水密封箱</td> <td>样品编号:</td> </tr> <tr> <td>委托方地址: 浙江省温州市乐清市柳市镇</td> <td>样品数量:</td> </tr> <tr> <td>委托方电话: 13989721916</td> <td>受托方式:</td> </tr> <tr> <td>检测地点: 温州市海坛路十一路248号</td> <td>检测日期:</td> </tr> <tr> <td>检测项目: 密封性</td> <td>检测日期: 2016</td> </tr> <tr> <td>检测标准: GB/T 4209-2017</td> <td>检测类别:</td> </tr> </table> <p>根据委托要求检测合格, 对样品进行检测, 所有项目合格。</p> <p>检测结论: 合格</p> <p>备注: 杨文杰 (传主) 审核: 李浩 (客方) 编制: 黄</p>	委托方: 雷尔电(温州)电气有限公司	型号规格:	样品名称: 防水密封箱	样品编号:	委托方地址: 浙江省温州市乐清市柳市镇	样品数量:	委托方电话: 13989721916	受托方式:	检测地点: 温州市海坛路十一路248号	检测日期:	检测项目: 密封性	检测日期: 2016	检测标准: GB/T 4209-2017	检测类别:	 <p><b>检测报告</b></p> <p>样品名称: 电气密封箱</p> <p>型号: LSE 系列</p> <p>委托方: 雷尔电(温州)电气有限公司</p> <p>检测机构: 浙江省检验检测技术研究院低压电器实验室(温州) (浙江立德产品技术检测有限公司电器实验室)</p>
委托方: 雷尔电(温州)电气有限公司	型号规格:																
样品名称: 防水密封箱	样品编号:																
委托方地址: 浙江省温州市乐清市柳市镇	样品数量:																
委托方电话: 13989721916	受托方式:																
检测地点: 温州市海坛路十一路248号	检测日期:																
检测项目: 密封性	检测日期: 2016																
检测标准: GB/T 4209-2017	检测类别:																





# 产品目录 | PRODUCT CONTENTS



**01**  
Aluminum junction box  
铸铝防水盒 FA Series



**02**  
Plastic junction box  
塑料防水盒 AG Series



**03**  
Plastic junction box  
塑料防水盒 F Series



**04**  
Hinged junction box  
铰链防水盒 HG Series



**05**  
Plastic MCB box  
断路器箱体 HA HT Series



**06**  
Wall mounted box  
墙壁配电箱箱体



**07**  
Transparent MCB Cover  
透明保护罩



**08**  
European Style Box  
欧式防水盒



**09**  
Mobile Electric Socket Box  
手提式插座箱



**10**  
Waterproof cable gland  
防水接头



# Aluminum Junction Box

HY-FA

铸铝防水盒



## Product Feature 产品特性

- | 采用铝合金压铸成形，耐高温、防腐蚀，可在恶劣环境下使用。
- | 适用于端子箱、配电板、仪器仪表盒、信号箱、采矿场、沿海工厂、污废水处理设施等环境。
- | 防护等级：IP67
- | 表面处理：光面、磨砂面。

- | Aluminum alloy die-casting forming, high temperature resistant, Corrosion-Proof, can be used in harsh environments.
- | Surface Treatment: Glossy, Matt.
- | Applicable: Terminal box, Distribution Box, Instrument Box, Signal Junction Box, Stope, Coastal factories, Sewage Treatment Works and other environments.
- | Protection: IP67.

## Model and Specification 产品参数

型号Model	尺寸Dimensions(mm)			Weight(KG)
	长Height	宽Width	高Depth	
HY-FA-64*58*35	65	58	35	0.14
HY-FA-80*75*60	80	75	60	0.29
HY-FA-80*75*80	80	75	80	0.34
HY-FA-80*80*65	80	80	65	0.33
HY-FA-90*36*31	90	36	31	0.115
HY-FA-98*64*35	98	64	35	0.15
HY-FA-100*100*60	100	100	60	0.46
HY-FA-100*100*80	100	100	80	0.55
HY-FA-111*64*37	111	64	37	0.22
HY-FA-115*65*55	115	65	55	0.29
HY-FA-115*90*56	115	90	56	0.4
HY-FA-120*120*82	120	120	82	0.8
HY-FA-120*80*56	120	80	56	0.4
HY-FA-125*80*60	125	80	60	0.42
HY-FA-140*140*100	140	140	100	1.05
HY-FA-140*140*75	140	140	75	0.85
HY-FA-150*100*80	150	100	80	0.73
HY-FA-150*64*37	150	64	37	0.262
HY-FA-160*100*60	160	100	60	0.57
HY-FA-160*100*80	160	100	80	0.73
HY-FA-160*160*70	160	160	70	1
HY-FA-160*160*90	160	160	90	1.08
HY-FA-165*95*40	165	95	40	0.42
HY-FA-175*80*58	175	80	58	0.55
HY-FA-188*120*80	188	120	80	0.68
HY-FA-200*130*60	200	130	60	0.82
HY-FA-200*130*78	200	130	78	1
HY-FA-200*130*85	200	130	85	1.3
HY-FA-200*135*90	200	135	90	1.1
HY-FA-200*200*90	200	200	90	1.45
HY-FA-220*120*80	220	120	80	1.1
HY-FA-220*120*90	220	120	90	1.21
HY-FA-222*145*80	222	145	80	1.055

型号Model	尺寸Dimensions(mm)			Weight(KG)
	长Height	宽Width	高Depth	
HY-FA-230*150*75	230	150	75	1.01
HY-FA-230*150*85	230	150	85	1.131
HY-FA-230*200*110	230	200	110	2.1
HY-FA-230*230*90	230	230	90	1.7
HY-FA-240*160*100	240	160	100	1.62
HY-FA-240*160*75	240	160	75	1.4
HY-FA-250*80*65	250	80	65	0.8
HY-FA-250*80*80	250	80	80	0.9
HY-FA-260*160*90	260	160	90	1.8
HY-FA-265*185*130	265	185	130	2.14
HY-FA-265*185*80	265	185	80	1.65
HY-FA-265*185*95	265	185	95	1.8
HY-FA-280*230*110	280	230	110	2.65
HY-FA-300*200*150	300	200	150	3
HY-FA-300*210*110	300	210	110	2.35
HY-FA-300*210*130	300	210	130	2.65
HY-FA-300*300*150	300	300	150	3.95
HY-FA-320*120*90	320	120	90	1.69
HY-FA-340*235*120	340	235	120	3.1
HY-FA-340*235*135	340	235	135	3.31
HY-FA-340*235*160	340	235	160	3.83
HY-FA-340*235*95	340	235	95	2.86
HY-FA-360*160*135	360	160	135	2.68
HY-FA-360*160*95	360	160	95	2.38
HY-FA-400*300*150	400	300	150	4.8
HY-FA-500*400*150	500	400	150	8.5



# Plastic Junction Box - AG Series

HY-AG

塑料防水盒



## Product Feature 产品特性

- | 采用高强度ABS、PC材料制成，重量只有铁制箱子的1/4左右，便于搬运和操作，耐腐蚀，绝缘性佳。
- | 适用于端子箱、配电板、仪器仪表盒、信号箱、采矿场、沿海工厂、污废水处理设施等环境。
- | 防护等级：IP67
- | 颜色：灰色或者其他定制。

- | It is made from high strength ABS/PC material, weights about 1/4 of the metal box, easy handling and operating, corrosion resistance, good insulation.
- | Colour: Grey or other customized colour.
- | Applicable: Terminal box, Distribution Box, Instrument Box, Signal Junction Box, Stope, Coastal factories, Sewage Treatment Works and other environments.
- | Protection: IP67.

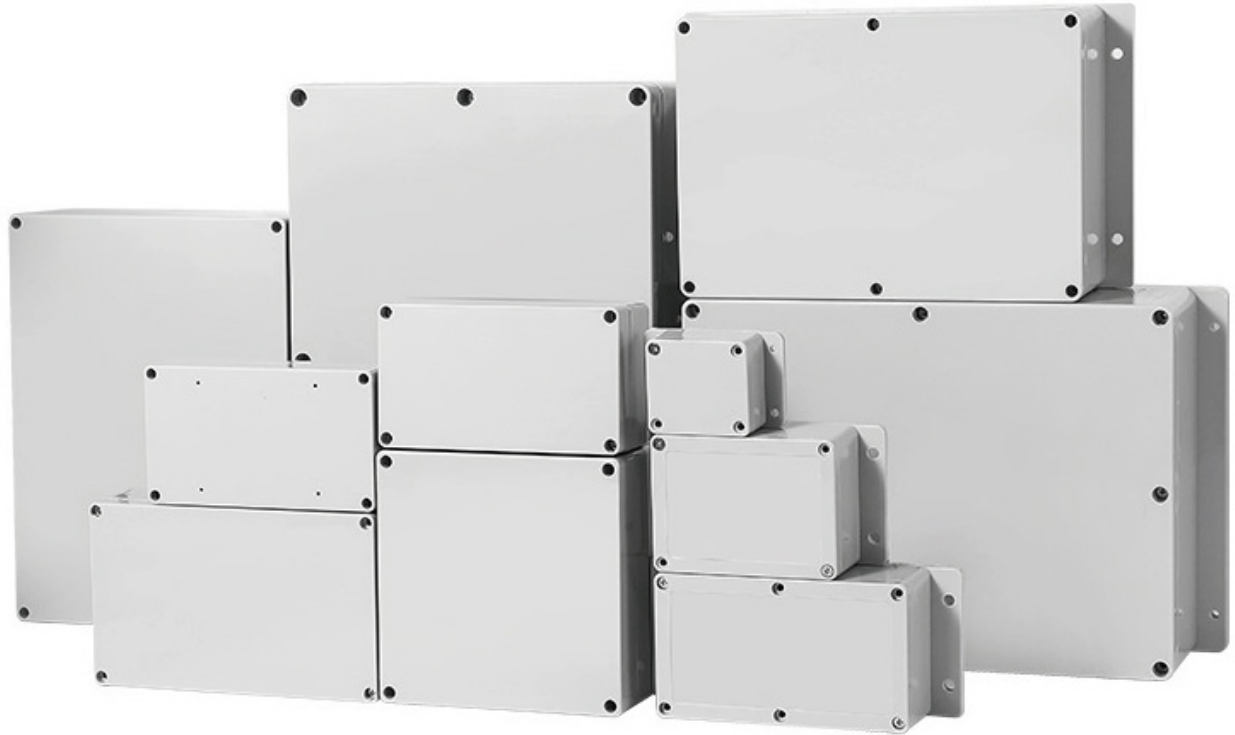
## Model and Specification 产品参数

尺寸Dimensions(mm)	ABS	ABS+PC	PC	PC
长Height x 宽Width x 高Depth	Grey Lid	Transparent Lid	Grey Lid	Transparent Lid
95x65x55	HY-AG-95x65x55	HY-AT-95x65x55	HY-PG-95x65x55	HY-PT-95x65x55
110x80x50	HY-AG-110x80x50	HY-AT-110x80x50	HY-PG-110x80x50	HY-PT-110x80x50
110x80x70	HY-AG-110x80x70	HY-AT-110x80x70	HY-PG-110x80x70	HY-PT-110x80x70
110x80x85	HY-AG-110x80x85	HY-AT-110x80x85	HY-PG-110x80x85	HY-PT-110x80x85
130x80x70	HY-AG-130x80x70	HY-AT-130x80x70	HY-PG-130x80x70	HY-PT-130x80x70
130x80x85	HY-AG-130x80x85	HY-AT-130x80x85	HY-PG-130x80x85	HY-PT-130x80x85
100x100x75	HY-AG-100x100x75	HY-AT-100x100x75	HY-PG-100x100x75	HY-PT-100x100x75
100x100x100	HY-AG-100x100x100	HY-AT-100x100x100	HY-PG-100x100x100	HY-PT-100x100x100
180x80x70	HY-AG-180x80x70	HY-AT-180x80x70	HY-PG-180x80x70	HY-PT-180x80x70
250x80x70	HY-AG-250x80x70	HY-AT-250x80x70	HY-PG-250x80x70	HY-PT-250x80x70
250x80x85	HY-AG-250x80x85	HY-AT-250x80x85	HY-PG-250x80x85	HY-PT-250x80x85
125x125x75	HY-AG-125x125x75	HY-AT-125x125x75	HY-PG-125x125x75	HY-PT-125x125x75
125x125x100	HY-AG-125x125x100	HY-AT-125x125x100	HY-PG-125x125x100	HY-PT-125x125x100
175x125x75	HY-AG-175x125x75	HY-AT-175x125x75	HY-PG-175x125x75	HY-PT-175x125x75
175x125x100	HY-AG-175x125x100	HY-AT-175x125x100	HY-PG-175x125x100	HY-PT-175x125x100
170x140x100	HY-AG-170x140x100	HY-AT-170x140x100	HY-PG-170x140x100	HY-PT-170x140x100
175x175x100	HY-AG-175x175x100	HY-AT-175x175x100	HY-PG-175x175x100	HY-PT-175x175x100
200x150x100	HY-AG-200x150x100	HY-AT-200x150x100	HY-PG-200x150x100	HY-PT-200x150x100
200x150x130	HY-AG-200x150x130	HY-AT-200x150x130	HY-PG-200x150x130	HY-PT-200x150x130
200x200x100	HY-AG-200x200x100	HY-AT-200x200x100	HY-PG-200x200x100	HY-PT-200x200x100
200x200x135	HY-AG-200x200x135	HY-AT-200x200x135	HY-PG-200x200x135	HY-PT-200x200x135
250x150x100	HY-AG-250x150x100	HY-AT-250x150x100	HY-PG-250x150x100	HY-PT-250x150x100
250x150x130	HY-AG-250x150x130	HY-AT-250x150x130	HY-PG-250x150x130	HY-PT-250x150x130
280x190x130	HY-AG-280x190x130	HY-AT-280x190x130	HY-PG-280x190x130	HY-PT-280x190x130
280x190x180	HY-AG-280x190x180	HY-AT-280x190x180	HY-PG-280x190x180	HY-PT-280x190x180

# Plastic Junction Box - F Series

HY-F

塑料防水盒



## Product Feature 产品特性

- | 采用高强度ABS、PC材料制成，重量只有铁制箱子的1/4左右，便于搬运和操作，耐腐蚀，绝缘性佳。
- | 适用于端子箱、配电板、仪器仪表盒、信号箱、以及自己DIY使用等普通场合。
- | 防护等级：IP65
- | 颜色：灰色或者其他定制。
- | 优点：经济款防水盒，适合一般场合使用

- | It is made from high strength ABS/PC material, weights about 1/4 of the metal box, easy handling and operating, corrosion resistance, good insulation.
- | Colour: Grey or other customized colour.
- | Application: Terminal box, Distribution Box, Instrument Box, Signal Junction Box and many DIY cases.
- | Protection: IP65.
- | Advantages: Economic and affordable type for any general situation.

## Model and Specification 产品参数



尺寸Dimensions(mm) 长Height x 宽Width x 高Depth	ABS Grey Lid	ABS+PC Transparent Lid	Weight(KG)	With Flange or not
65x58x35	HY-FG-65x58x35	HY-FT-65x58x35		
65x58x35E	HY-FG-65x58x35E	HY-FT-65x58x35E	0.068	Y
83x58x33E	HY-FG-83x58x33E	HY-FT-83x58x33E	0.072	Y
83x58x33	HY-FG-83x58x33	HY-FT-83x58x33	0.072	
100x68x50	HY-FG-100x68x50	HY-FT-100x68x50	0.105	
100x68x50E	HY-FG-100x68x50E	HY-FT-100x68x50E	0.119	Y
83x81x56	HY-FG-83x81x56	HY-FT-83x81x56	0.124	
115x85x35E	HY-FG-115x85x35E	HY-FT-115x85x35E	0.129	Y
115x90x55	HY-FG-115x90x55	HY-FT-115x90x55	0.148	
158x90x40	HY-FG-158x90x40	HY-FT-158x90x40	0.155	
115x85x55E	HY-FG-115x85x55E	HY-FT-115x85x55E	0.16	Y
115x90x55E	HY-FG-115x90x55E	HY-FT-115x90x55E	0.173	Y
158x90x60	HY-FG-158x90x60	HY-FT-158x90x60	0.184	
158x90x75	HY-FG-158x90x75	HY-FT-158x90x75	0.199	
158x90x45E	HY-FG-158x90x45E	HY-FT-158x90x45E	0.201	Y
158x90x65E	HY-FG-158x90x65E	HY-FT-158x90x65E	0.215	Y
120x120x90	HY-FG-120x120x90	HY-FT-120x120x90	0.269	
160x110x90	HY-FG-160x110x90	HY-FT-160x110x90	0.283	
200x120x56	HY-FG-200x120x56	HY-FT-200x120x56	0.296	
200x120x75	HY-FG-200x120x75	HY-FT-200x120x75	0.301	
160x110x90E	HY-FG-160x110x90E	HY-FT-160x110x90E	0.319	Y
200x120x65E	HY-FG-200x120x65E	HY-FT-200x120x65E	0.336	Y
200x120x75E	HY-FG-200x120x75E	HY-FT-200x120x75E	0.356	Y
200x120x113	HY-FG-200x120x113	HY-FT-200x120x113	0.382	

尺寸Dimensions(mm)	ABS	ABS+PC	Weight(KG)	With Flange or not
长Height x 宽Width x 高Depth	Grey Lid	Transparent Lid		
160x160x90	HY-FG-160x160x90	HY-FT-160x160x90	0.382	
230x150x60	HY-FG-230x150x60	HY-FT-230x150x60	0.409	
160x160x90E	HY-FG-160x160x90E	HY-FT-160x160x90E	0.431	Y
160x160x120	HY-FG-160x160x120	HY-FT-160x160x120	0.459	
200x120x113E	HY-FG-200x120x113E	HY-FT-200x120x113E	0.462	Y
230x150x85	HY-FG-230x150x85	HY-FT-230x150x85	0.467	
192x188x100	HY-FG-192x188x100	HY-FT-192x188x100	0.472	
230x150x85E	HY-FG-230x150x85	HY-FT-230x150x85	0.515	Y
240x160x90	HY-FG-240x160x90	HY-FT-240x160x90	0.519	
265x185x60	HY-FG-265x185x60	HY-FT-265x185x60	0.553	
240x160x120	HY-FG-240x160x120	HY-FT-240x160x120	0.594	
265x185x80	HY-FG-265x185x80	HY-FT-265x185x80	0.618	
265x185x95	HY-FG-265x185x95	HY-FT-265x185x95	0.648	
290x210x60	HY-FG-290x210x60	HY-FT-290x210x60	0.681	
265x185x95E	HY-FG-265x185x95E	HY-FT-265x185x95E	0.688	Y
290x210x80	HY-FG-290x210x80	HY-FT-290x210x80	0.737	
265x185x130	HY-FG-265x185x130	HY-FT-265x185x130	0.792	
290x210x100	HY-FG-290x210x100	HY-FT-290x210x100	0.814	
265x185x150	HY-FG-265x185x150	HY-FT-265x185x150	0.872	
320x240x110	HY-FG-320x240x110	HY-FT-320x240x110	0.985	
320x240x110E	HY-FG-320x240x110E	HY-FT-320x240x110E	1.1	Y
320x240x145	HY-FG-320x240x145	HY-FT-320x240x145	1.141	
380x260x105	HY-FG-380x260x105	HY-FT-380x260x105	1.241	

# HG 铰链系列塑料防水盒

HG Hinge series plastic waterproof case

- 特点：防水、防尘、耐腐蚀、抗冲击
- 防尘防水等级：IP67
- 抗冲击性能：IK08
- 温度范围：ABS:-20~+70°C PC: -40~+110°C
- Characteristic: Waterproof, dustproof, corrosion resistance, impact resistance
- IP Level: IP67
- Impact Level: IK08
- Temp Range: ABS:-20~+70°C PC: -40~+110°C



型号 Model		尺寸 Dimensions (mm)			安装板 Mounting plate	装箱数量 pcs Case pack
灰盖 Grey cover	透明盖 Clear cover	长 Height	宽 Width	高 Depth		
HY-151509HG	HY-151509HT	150	150	90	1515MP	42
HY-221711HG	HY-221711HT	220	170	110	2217MP	20
HY-281913HG	HY-281913HT	280	190	130	2819MP	12
HY-203017HG	HY-203017HT	200	300	170	2030MP	12
HY-273115HG	HY-273115HT	270	370	150	2737MP	6
HY-403018HG	HY-403018HT	400	300	180	4030MP	5
HY-504020HG	HY-504020HT	500	400	200	5040MP	3



# HG 铰链系列塑料防水盒 HG Hinge series plastic waterproof case

灰盖  
Grey cover



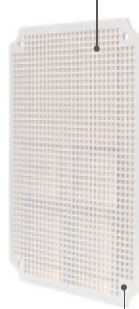
透明盖  
Transparent cover



中门 (部分型号可选配)  
Inner cover



底板  
Base plate



底盒  
Enclosure



固定螺栓  
Fixing bolt



螺丝  
Screw

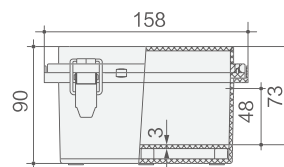
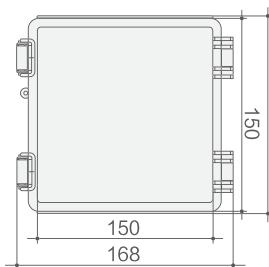
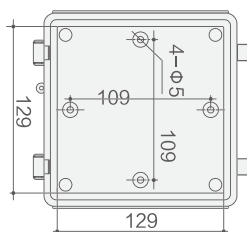


塑料  
Plastic brackets

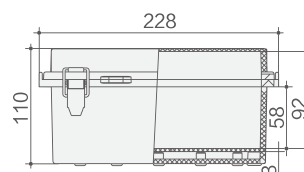
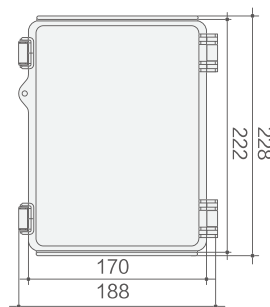
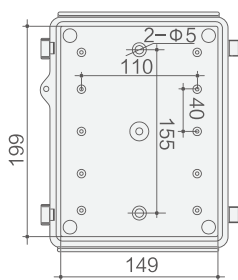


不锈钢挂角 (选配)  
Stainless steel brackets  
(Optional)

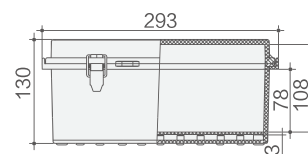
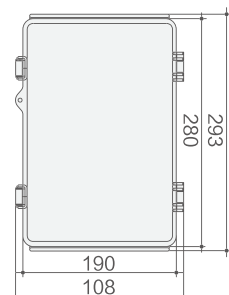
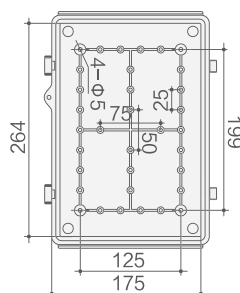
型号 Mode: HG/HT-150x150x90



型号 Mode: HG/HT-220x170x110

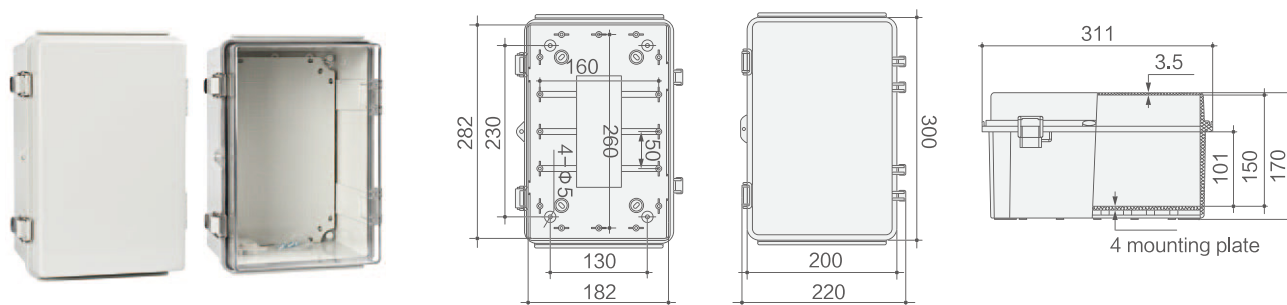


型号 Mode: HG/HT-280x190x130

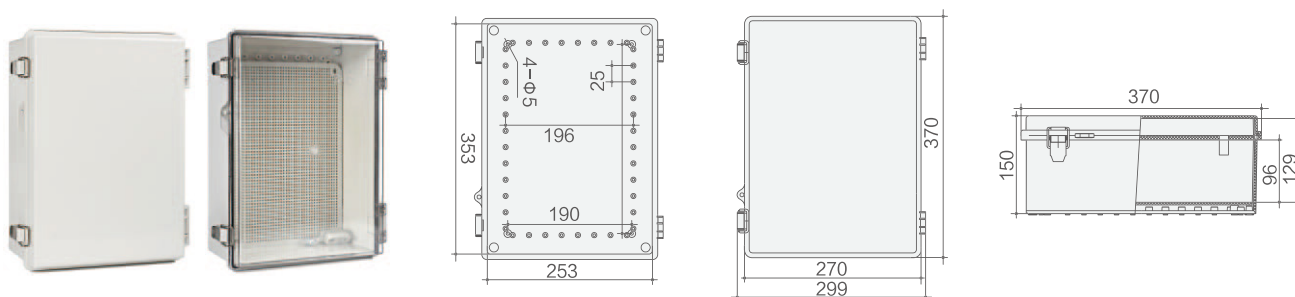


# HG 铰链系列塑料防水盒 HG Hinge series plastic waterproof case

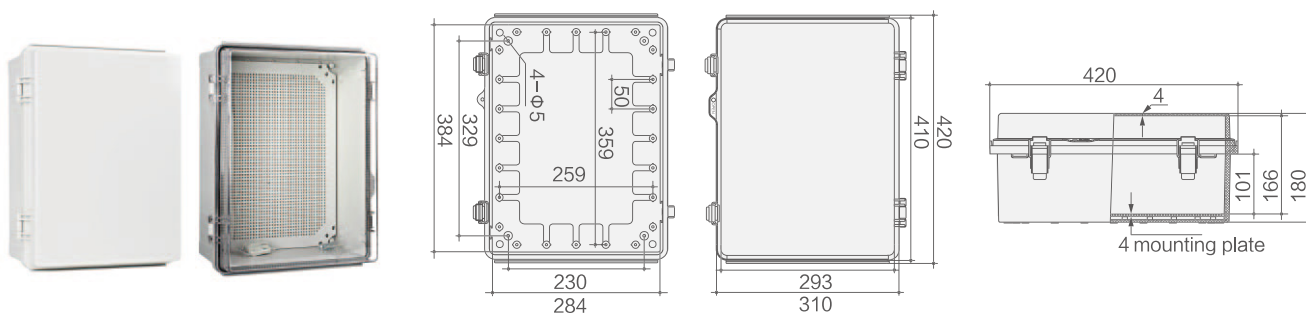
型号 Mode: HG/HT-300x200x170



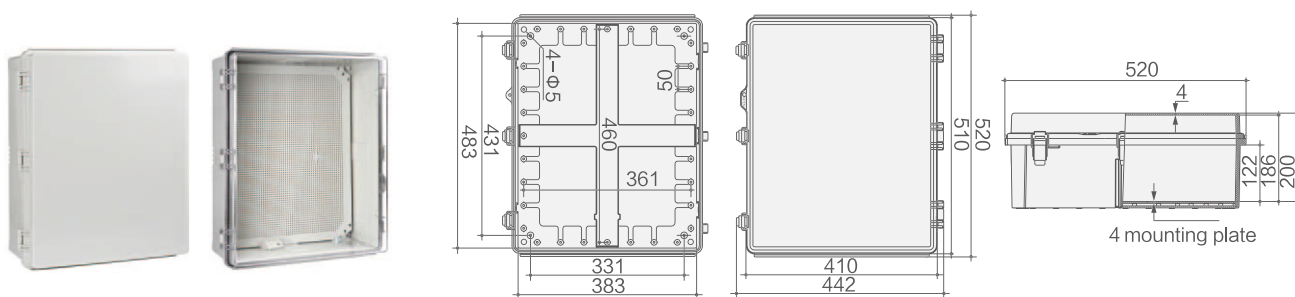
型号 Mode: HG/HT-370x270x150



型号 Mode: HG/HT-410x310x180



型号 Mode: HG/HT-510x410x200



# 防水配电箱

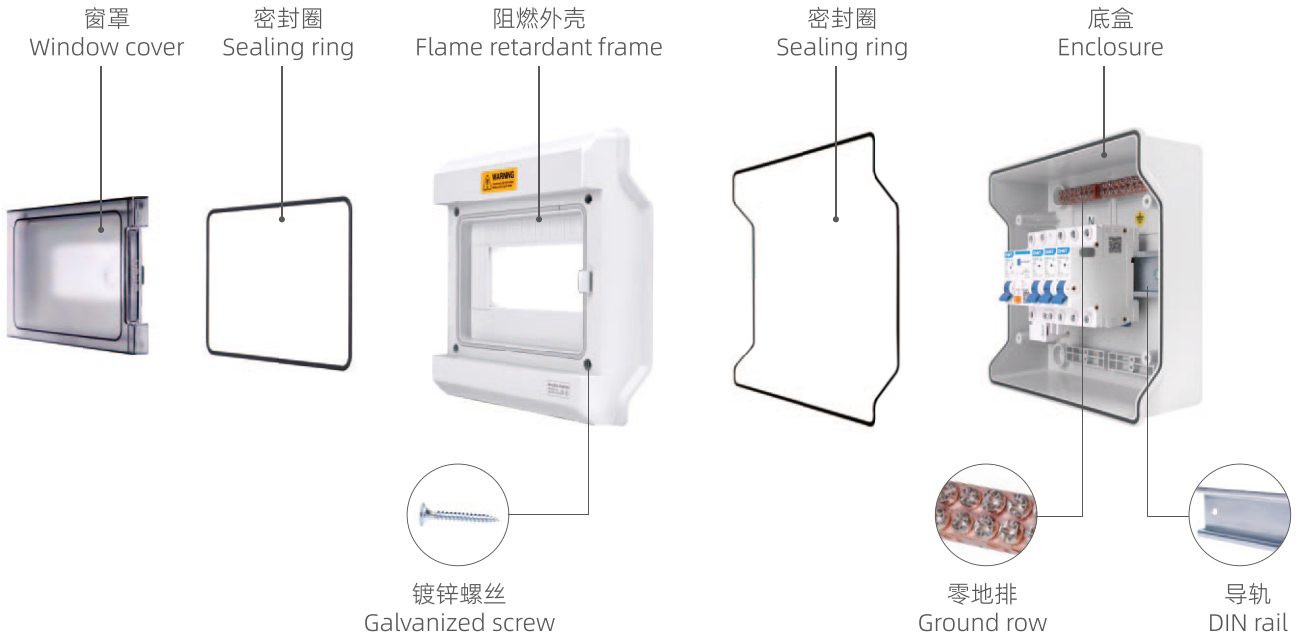
Waterproof distribution box

- 特点：防水、防尘、耐腐蚀、抗冲击
- 防尘防水等级：IP66
- 阻燃等级：V0
- 抗冲击性能：IK08
- 温度范围：PC：-45~+135°C
- Characteristic：Waterproof, dustproof, corrosion resistance, impact resistance
- IP Level：IP66
- Flame retardant class：V0
- Impact Level：IK08
- Temp Range：PC：-45~+135°C

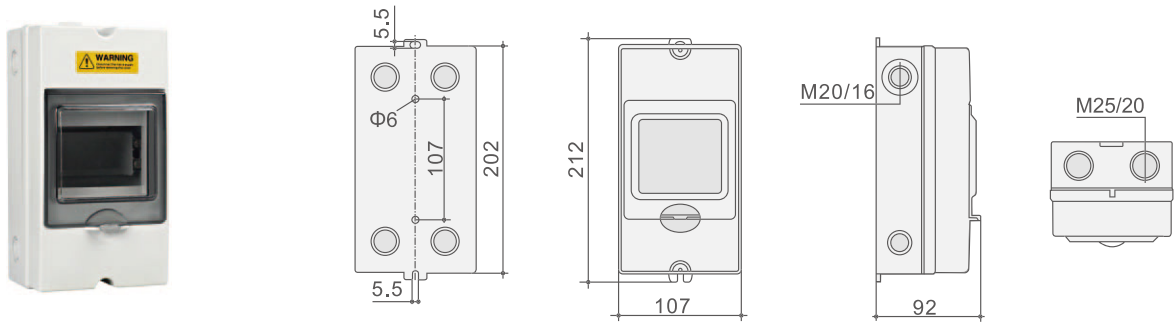


型号 Model	尺寸 Dimensions (mm)		
	长 Height	宽 Width	高 Depth
LSE-1504	107	212	92
LSE-1506	165	200	100
LSE-1509	219	200	100
LSE-1512	273	230	110
LSE-1518	381	230	110
LSE-1524	273	380	110
LSE-1536	381	380	110

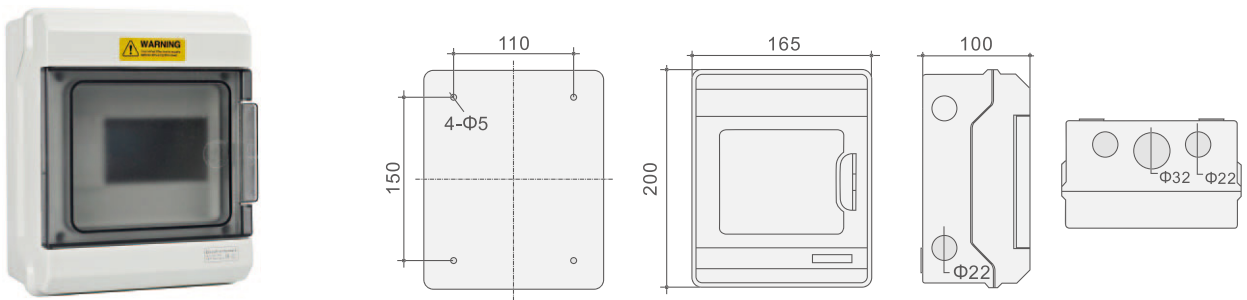
# 防水配电箱 Waterproof distribution box



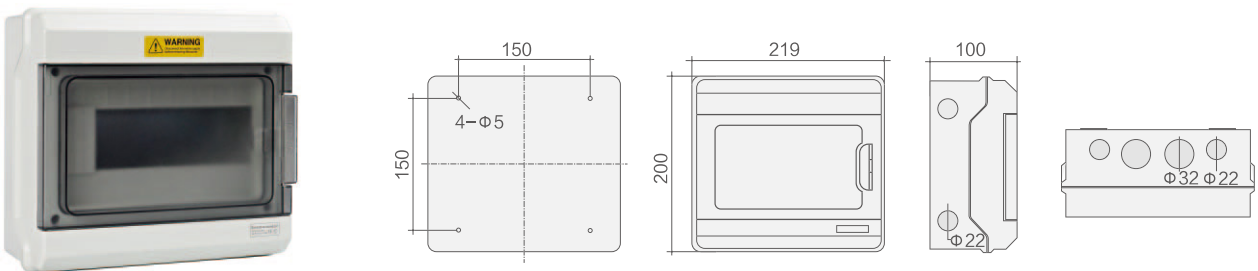
型号 Mode: LSE-1504



型号 Mode: LSE-1506

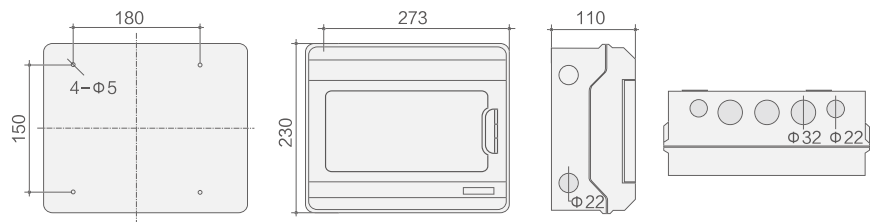


型号 Mode: LSE-1509

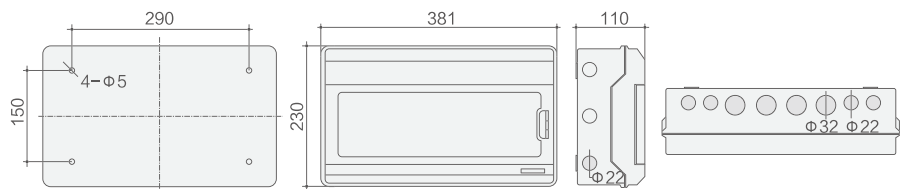


# 防水配电箱 Waterproof distribution box

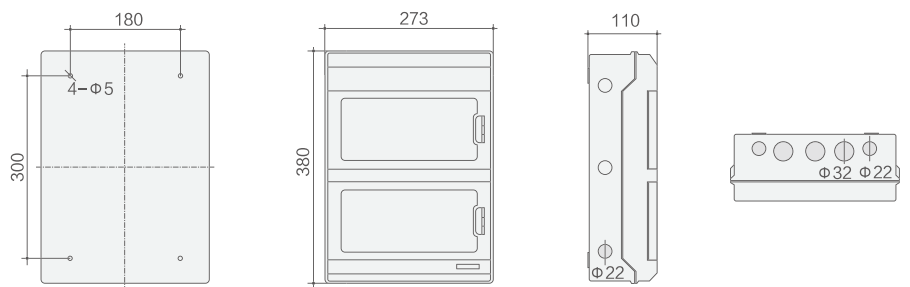
型号 Mode: LSE-1512



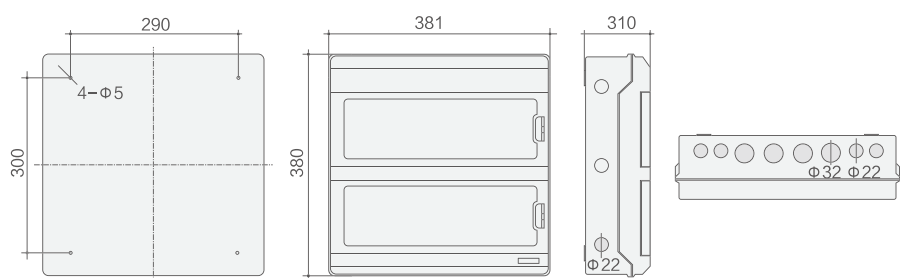
型号 Mode: LSE-1518



型号 Mode: LSE-1524



型号 Mode: LSE-1536





# 新型专业插座箱

New type of socket distribution boxes and enclosures

- 特点：防水、防尘、耐腐蚀、抗冲击
- 防尘防水等级：IP66
- 阻燃等级：V0
- 抗冲击性能：IK08
- 温度范围：PC：-45~+135°C

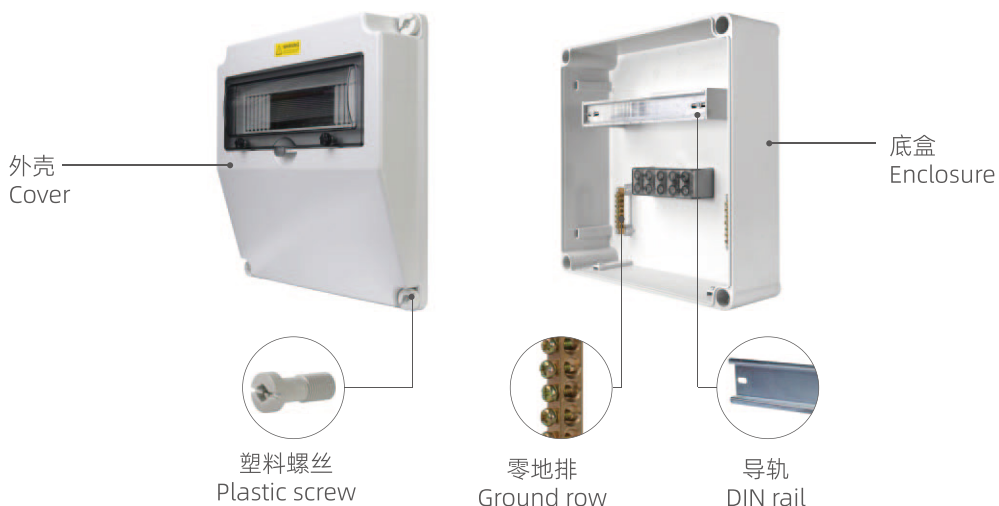
- Characteristic: Waterproof, dustproof, corrosion resistance, impact resistance
- IP Level: IP66
- Flame retardant class: V0
- Impact Level: IK08
- Temp Range: PC: -45~+135°C



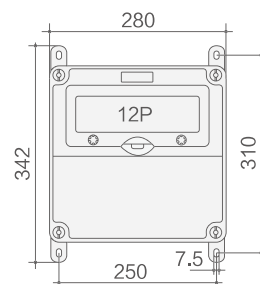
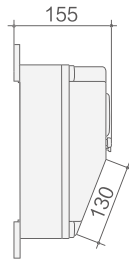
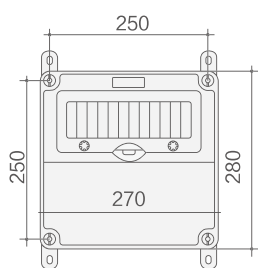
型号 Model	尺寸 Dimensions (mm)		
	长 Height	宽 Width	高 Depth
LSE-172614	170	260	140
LSE-282815	280	280	155
LSE-283815	280	380	155
LSE-333317	330	330	175
LSE-334317-1	330	430	175
LSE-334317-2	330	430	175
LSE-335317	330	530	175



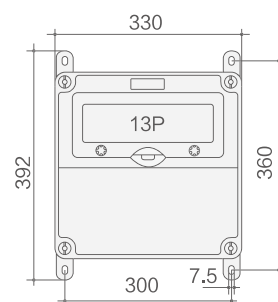
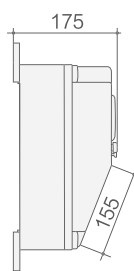
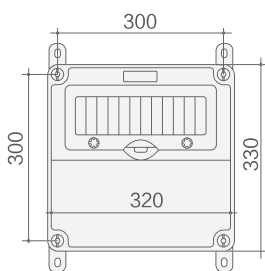
# 新型专业插座箱 New type of socket distribution boxes and enclosures



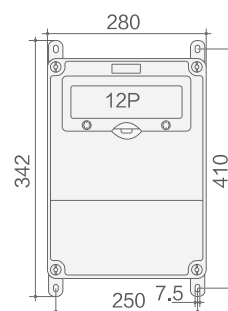
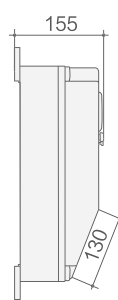
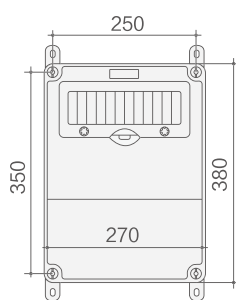
型号 Mode: LSE-282815



型号 Mode: LSE-333317

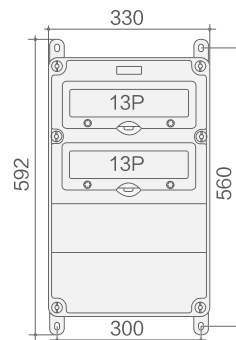
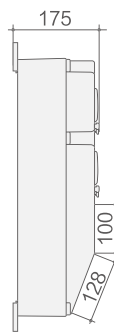
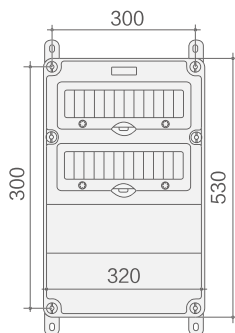


型号 Mode: LSE-283815

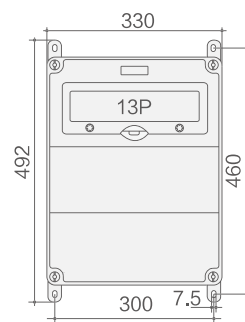
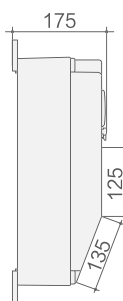
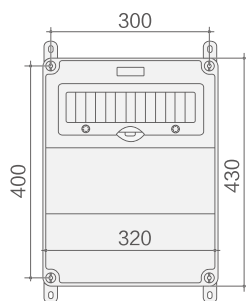


# 新型专业插座箱 New type of socket distribution boxes and enclosures

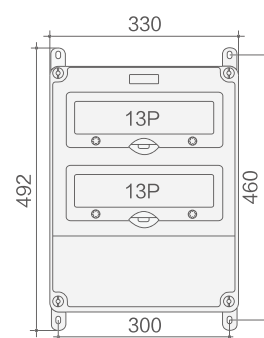
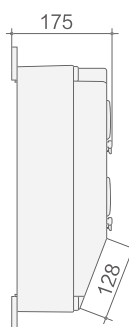
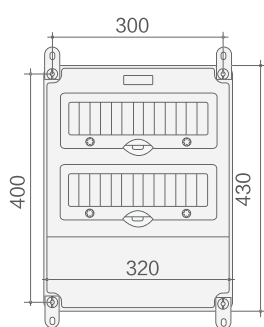
型号 Mode: LSE-335317



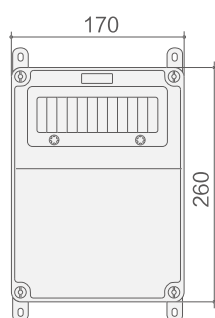
型号 Mode: LSE-334317



型号 Mode: LSE-334317-2



型号 Mode: LSE-260×170×140



# 透明保护窗罩

Transparent contact protection window hood

- 特点：防水、防尘、耐腐蚀、抗冲击
- 防尘防水等级：IP67
- 阻燃等级：底座 base：V1 透明盖 Lid：V2
- 抗冲击性能：IK08
- 温度范围：PC：-45~+110℃
- Characteristic：Waterproof, dustproof, corrosion resistance, impact resistance
- IP Level：IP67
- Flame retardant class：base：V1 Lid：V2
- Impact Level：IK08
- Temp Range：PC：-45~+110℃

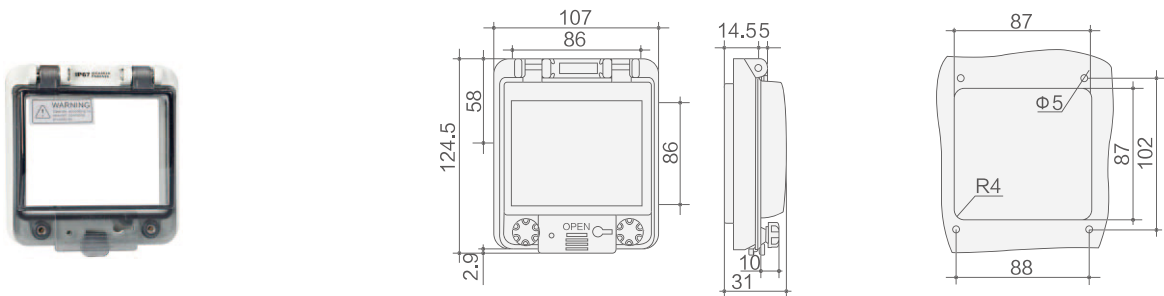


型号 Model	适用空开位数	型号 Model	适用空开位数
LSE-0402	2 位 /2P	LSE-0410	10 位 /10P
LSE-0403	3 位 /3P	LSE-0412	12 位 /12P
LSE-0404	4 位 /4P	LSE-0413	13 位 /13P
LSE-0405	86 型	LSE-0416	16 位 /16P
LSE-0406	6 位 /6P	LSE-0418	18 位 /18P
LSE-0408	8 位 /8P		

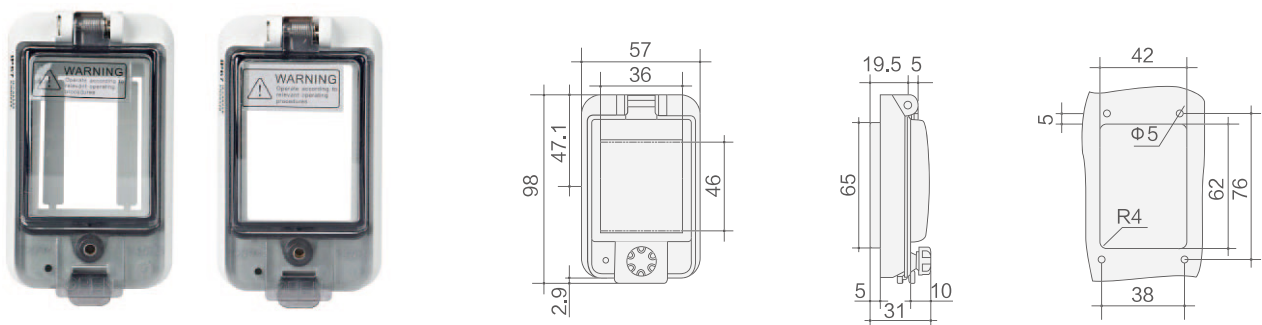
# 透明保护窗罩 Transparent contact protection window hood



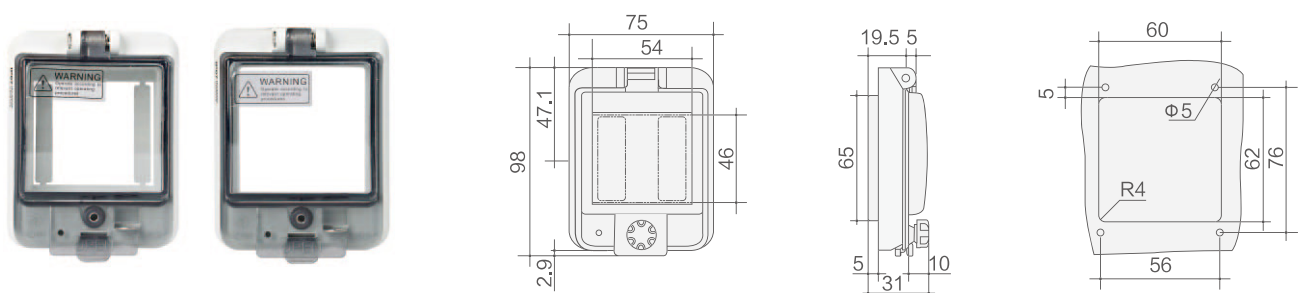
型号 Mode: LSE-0405B



型号 Mode: LSE-0402B

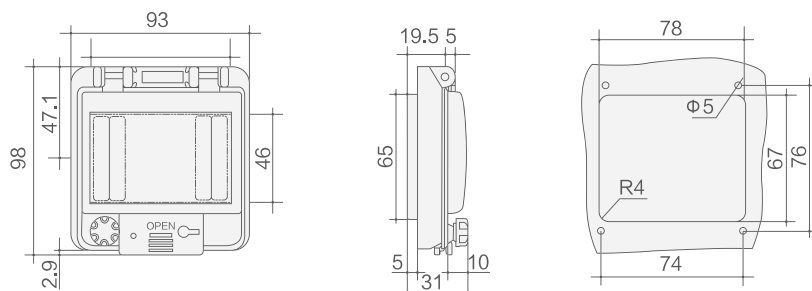


型号 Mode: LSE-0403B

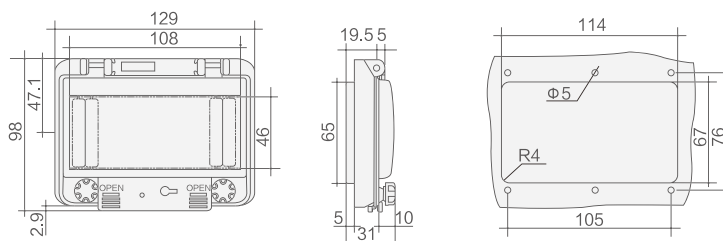


# 透明保护窗罩 Transparent contact protection window hood

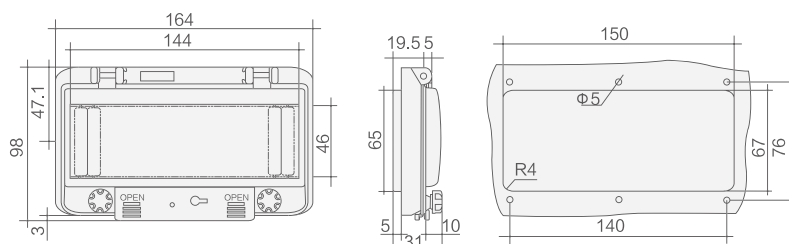
型号 Mode: LSE-0404B



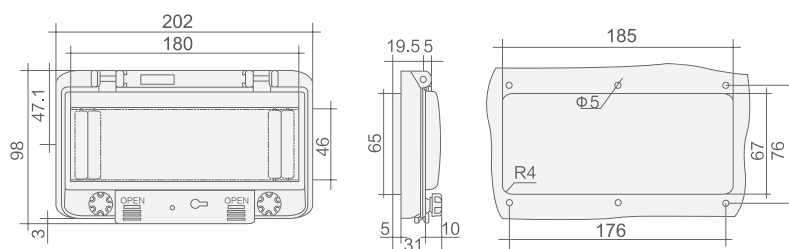
型号 Mode: LSE-0406B



型号 Mode: LSE-0408B

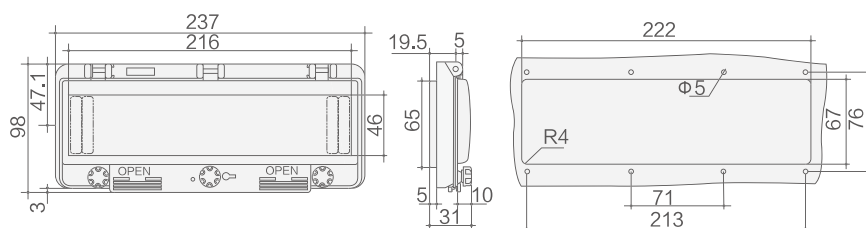


型号 Mode: LSE-0410B

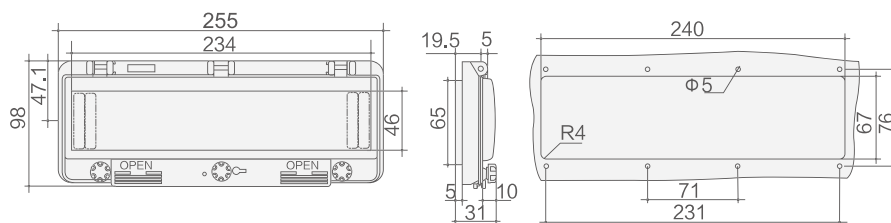


# 透明保护窗罩 Transparent contact protection window hood

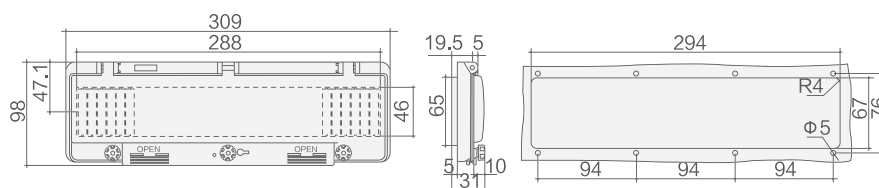
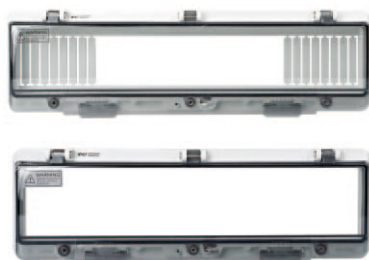
型号 Mode: LSE-0412B



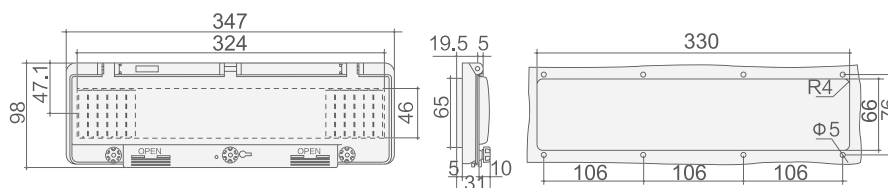
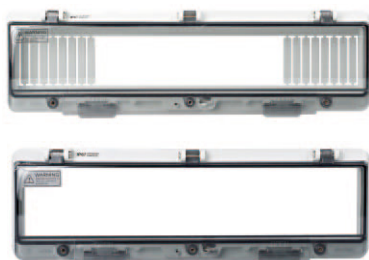
型号 Mode: LSE-0413B



型号 Mode: LSE-0416B



型号 Mode: LSE-0418B





# 欧式防水电器盒

European-style waterproof electric box

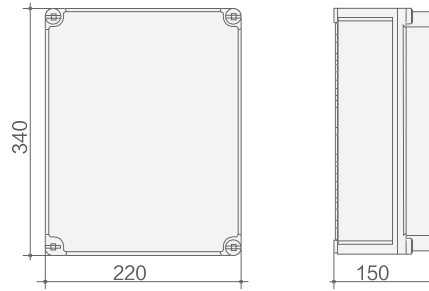
- 特点：防水、防尘、耐腐蚀、抗冲击
- 防尘防水等级：IP66
- 阻燃等级：V2
- 抗冲击性能：IK08
- 温度范围：PC：-45~+135°C
- Characteristic: Waterproof, dustproof, corrosion resistance, impact resistance
- IP Level: IP66
- Flame retardant class: V2
- Impact Level: IK08
- Temp Range: PC: -45~+135°C



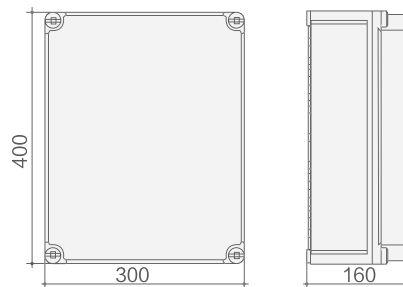
型号 Model	尺寸 Dimensions (mm)		
	长 Height	宽 Width	高 Depth
LSE-223415	220	340	150
LSE-304016	300	400	160
LSE-305216	300	520	160
LSE-274616	270	460	160
LSE-365418	360	540	180
LSE-233316	230	330	160
LSE-282816	280	280	160
LSE-363616	360	360	160
LSE-608022	600	800	220
LSE-506820	500	680	200

# 欧式防水电器盒 European-style waterproof electric box

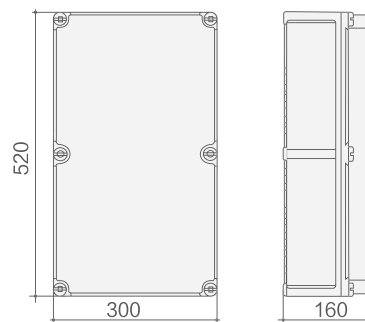
型号 Mode: PG-223415



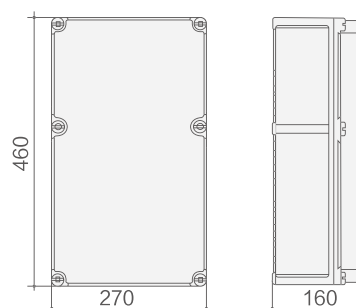
型号 Mode: PG-304016



型号 Mode: PG-305216



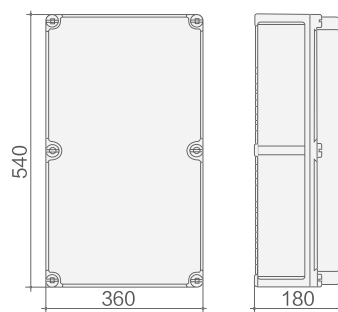
型号 Mode: PG-274616



## 欧式防水电器盒 European-style waterproof electric box

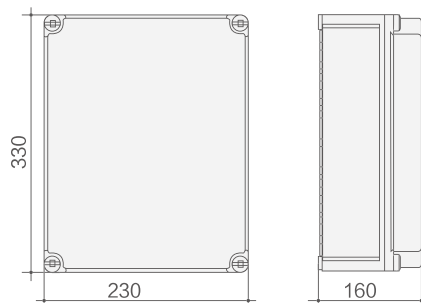
型号 Mode: PG-365418

---



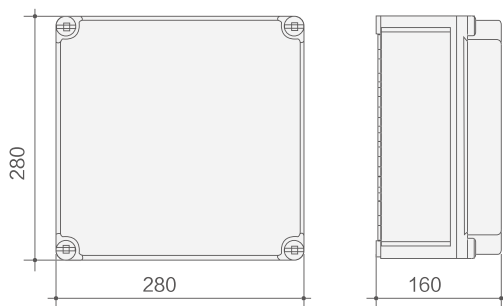
型号 Mode: PG-233316

---



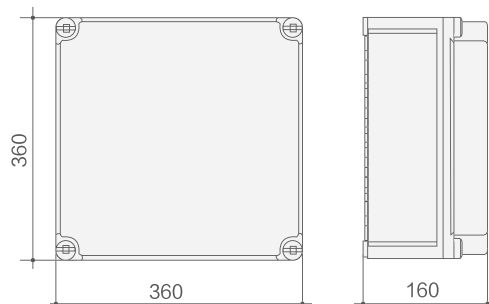
型号 Mode: PG-282816

---



型号 Mode: PG-363616

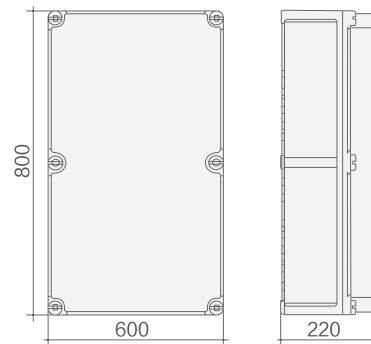
---



# 欧式防水电器盒 European-style waterproof electric box

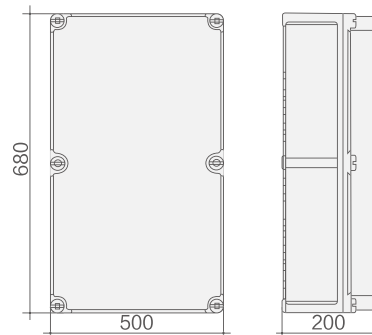
型号 Mode: PG-608022

---



型号 Mode: PG-506820

---



# 移动式防水插座箱

Mobile waterproof socketbox

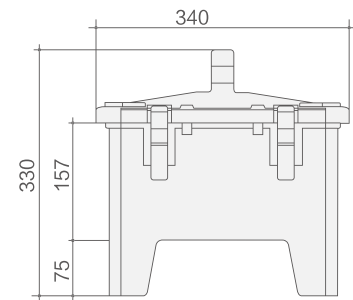
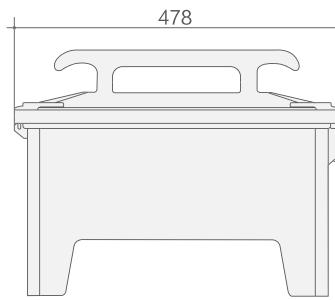
- 特点：防水、防尘、耐腐蚀、抗冲击
- 防尘防水等级：IP66
- 抗冲击性能：IK08
- 温度范围：PC：-45~+110°C
- Characteristic: Waterproof, dustproof, corrosion resistance, impact resistance
- IP Level: IP66
- Impact Level: IK08
- Temp Range: PC: -45~+110°C



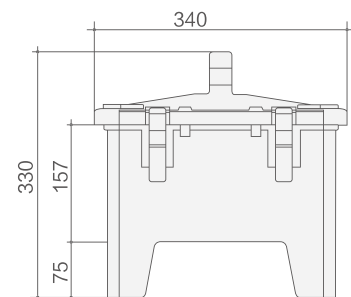
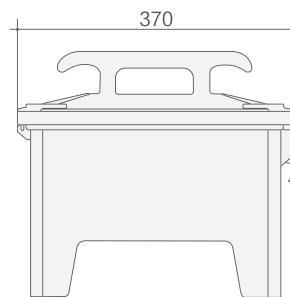
型号 Model	尺寸 Dimensions (mm)		
	长 Height	宽 Width	高 Depth
LSE-344733	340	478	330
LSE-343733	340	370	330
LSE-233328	230	300	287

## 移动式防水插座箱 Mobile waterproof socket box

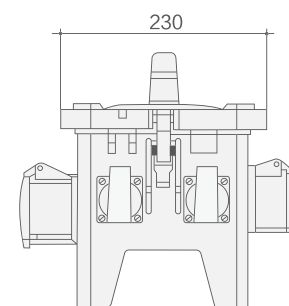
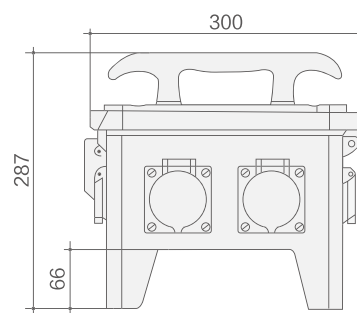
型号 Mode: 1808



型号 Mode: 1807



型号 Mode: 1806





# 防水电缆接头

Waterproof cable joint



## 金属防水电缆接头 Metal waterproof cable connector

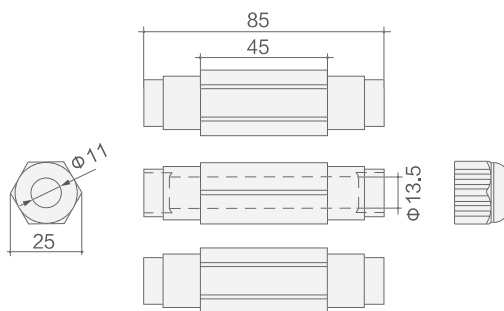
产品系列 Series	规格 Thread	开孔尺寸 mm Hole size	螺纹长度 mm Thread length	总长 mm Total length	电缆直径 mm Cable diameter	H1 ±0.2 mm	包装数 Number of packages
 <p>LSE-PG-M</p>	M12*1.5	11.8	8	30.3	3-6.5	5	100 只
	M16*1.5	15.9	8	33.9	4-8	5	100 只
	M18*1.5	17.6	8	35.1	5-11	5	100 只
	M20*1.5	19.7	9	36.8	6-12	5	100 只
	M22*1.5	21.6	10	38.5	10-14	5.5	100 只
	M24*1.5	23.7	10	40.5	12-15	5.5	100 只
	M25*1.5	24.7	10	44.3	13-18	5.7	100 只
	M27*1.5	26.8	10	45	13-18	5.7	100 只
	M30*1.5	29.7	11	45.5	16-20	7	100 只
	M32*1.5	31.8	11	45.4	16-20	7	100 只
	M36*1.5	36	12	47.8	18-25	7.3	100 只
	M40*1.5	40	18	62	22-32	7.3	100 只
	M50*1.5	50	18	67.4	32-38	7.5	100 只
	M50*1.5	61	18	68	37-44	8.5	100 只
	PG7	12.4	8	30.3	3-6.5	4.6	100 只
	PG9	14.8	8	32.6	4-8	4.6	100 只
	PG11	18.2	8	34.4	5-11	5	100 只
	PG13.5	20	9	36.4	6-12	5	100 只
	PG16	22.2	10	37.5	10-14	5.3	100 只
	PG19	23.9	10	40.5	12-15	5.3	100 只
	PG21	28.2	10	44.6	13-18	5.6	100 只
	PG25	29.9	11	44.6	16-20	7	100 只
	PG29	36.5	13	50.7	18-25	7	100 只
	PG36	46.7	13.7	58.4	22-32	7.4	100 只
	PG42	53.6	14	61.9	32-38	7.4	100 只
	PG48	58.5	13.6	62.8	37-44	7.4	100 只
PG63	70.6	28.5	84.5	42-50	8.9	100 只	

## 塑料防水电缆接头 Plastic waterproof cable connector

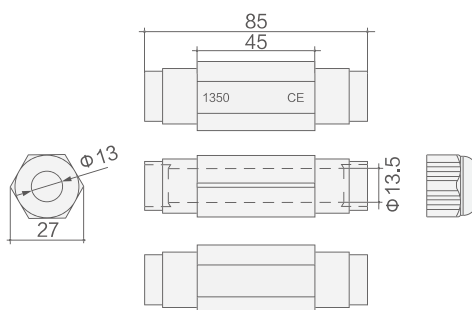
产品系列 Series	规格 Thread	适用范围 Scope of application	螺纹外径 mm Thread outer diameter mm	螺纹长度 mm Thread length mm	接合长度 Joint length	扳手尺寸 Wrench size
 <p>LSE-PG-M</p>	M8*1	2-5	8	5	16	12
	M10*1.5	3-6.5	10	6.5	19	14
	M12*1.5	3-6.5	12	6.5	19	14
		4-8	12	8	19	17
	M14*1.5	4-8	14	8	19	17
	M16*1.5	4-8	16	8	20	18
		5-10	16	8	21	20
	M18*1.5	5-10	18	8	21	20
	M20*1.5	6-12	20	8	22	22
	M22*1.5	10-14	22	8	23	24
	M24*1.5	10-14	24	9	25	24/27
	M25*1.5	10-14	25	9	25	24/27
		13-18	25	9	27	30/27
	M27*1.5	13-18	27	9	27	30
	M28*1.5	13-18	28	9	27	30
	M30*1.5	13-18	30	9	29	30/32
	M32*1.5	15-22	32	10	29	35
	M33*1.5	15-22	33	10	29	35
	M36*1.5	18-25	36	10	31	40
	M37*1.5	18-25	37	10	31	40
		18-25	40	11	31	40/45
	M40*1.5	22-30	40	11	35	45
		22-30	42	11	35	45
	M42*1.5	22-30	42	11	35	45
	M47*1.5	25-33	47	11	37	50
	M48*1.5	25-33	48	11	37	50
	M50*1.5	32-38	50	13	37	57/55
	M54*1.5	32-38	54	13	38	64
	M60*1.5	37-44	60	14	38	64
	M63*1.5	37-44	63	14	38	64/68
	M64*2	37-44	64	14	38	64/68
	M72*2	42-52	64	16	42	78
	M75*2	42-52	75	16	42	78/80
	M80*2	55-62	80	18	45	88
	M88*2	65-70	88	18	45	94
M100*2	78-84	100	20	53	110	
PG7	3-6.5	12.5	7	19	14/15	
PG9	4-8	15.2	8	20	17/18	
PG11	5-10	18.6	8	21	20/21	
PG13.5	6-12	20.4	8	22	22/23	
PG16	10-14	22.5	9	23	24/25	
PG19	10-14	25.0	9	25	24/27	
PG21	13-18	28.3	9	27	30	
PG25	15-22	32.0	10	29	35	
PG29	18-25	37.0	11	31	40	
PG36	25-33	47.0	11	37	50	
PG42	32-38	54.0	13	38	57	
PG48	37-44	59.0	14	38	64	
PG63	42-52	72.0	16	42	78	

# 防水接头（双头连接器） Waterproof joint (double-end connector)

型号 Mode: LSE1100



型号 Mode: LSE1350



**WENZHOU HIGHYI ELECTRIC CO.,LTD**

温州海溢电气有限公司

地址: 浙江省温州市乐清市柳市镇上游村京游七路65号

电话: 18657727276 15258767939

邮箱: [info@highyi.com](mailto:info@highyi.com)/[highyi@highyi.com](mailto:highyi@highyi.com)

Address: No.65 Jingyou Road 7th, Shangyou Village, Liushi town,  
Yueqing City, Wenzhou City, Zhejiang Province, China

Tel: +86 18657727276 +86 15258767939

Email: [info@highyi.com](mailto:info@highyi.com)/[highyi@highyi.com](mailto:highyi@highyi.com)



What'sApp



WeChat